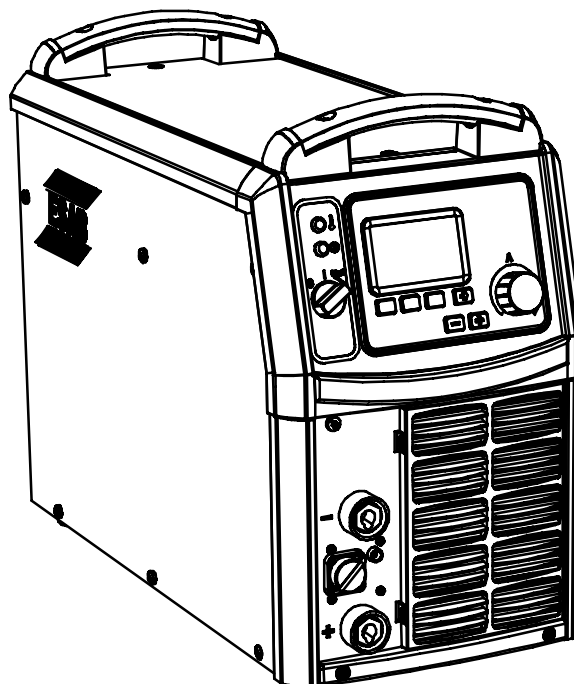


**Spare parts list**

**Edition 080215**



**Valid for serial no. 803-xxx-xxxx**

**Ordering no. Product**

0458 635 880 Origo™ Arc 4000i, A2

0458 635 881 Aristo™ Arc 4000i, A4

Spare parts are to be ordered through the nearest ESAB agency. Kindly indicate type of unit, serial number, denominations and ordering numbers according to the spare parts list.

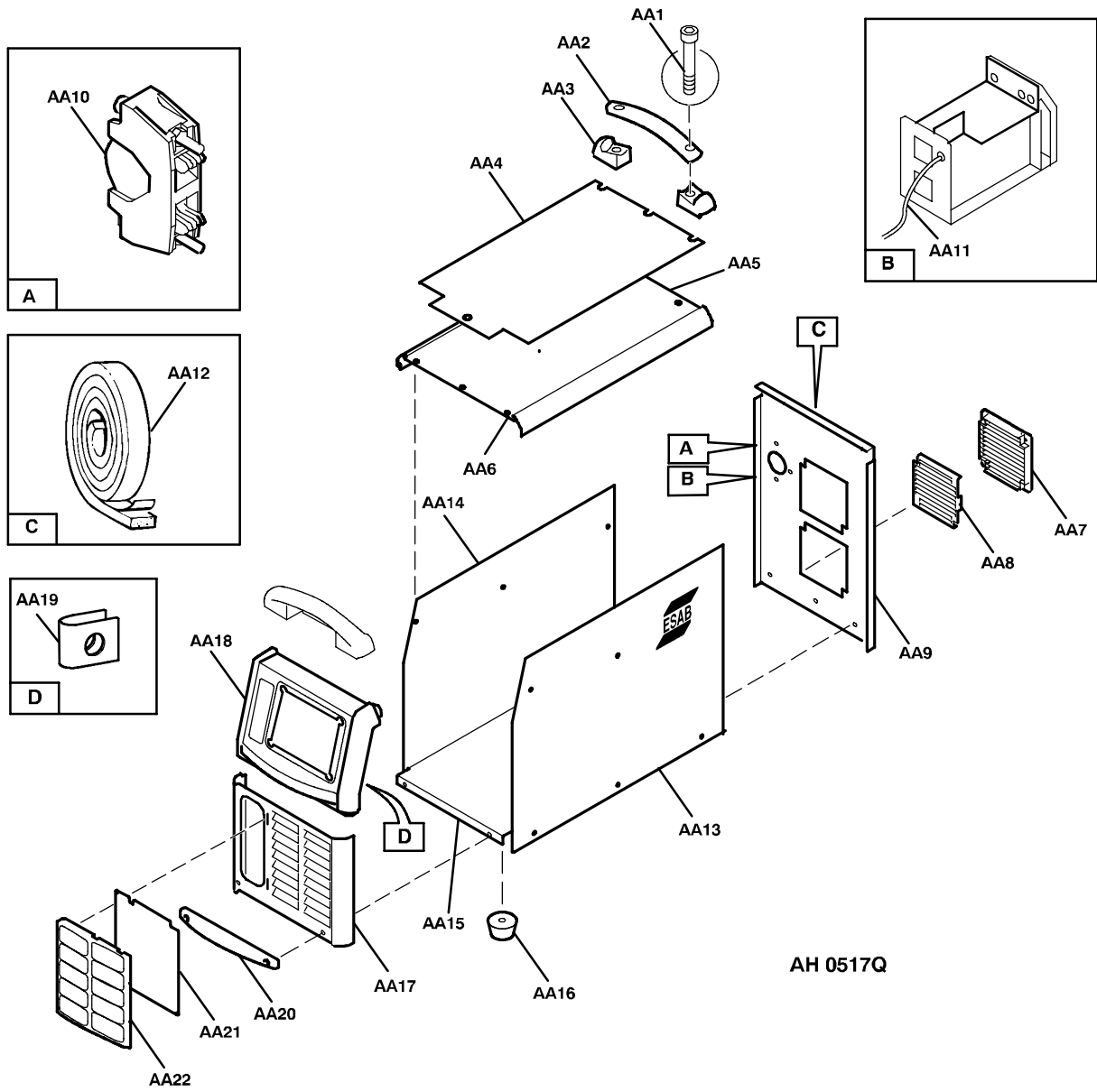
Maintenance and repair work should be performed by an experienced person, and electrical work only by a trained electrician. Use only recommended spare parts.

Rights reserved to alter specifications without notice.

## Arc 4000i

Item	Qty	Ordering no.	Denomination	Notes
AA1	4		Screw	High-tensile steel. Included in item AA2
AA2	2	0459 307 880	Handle set	
-	2		Nut	M8, Included in item AA2
AA3	4		Handle corner	Included in item AA2
AA4	1	0458 399 001	Rubber mat	
AA5	1	0458 389 005	Cover profile	
AA6	4	0458 310 001	Gasket	
AA7	2	0458 533 001	Rear grille	
-	4		Screw	RXS B6x9.5
AA8	1	0458 641 001	Water cover	
-	4		Screw	RXS B6x25
AA9	1	0458 393 001	Rear plate low	
-	12		Screw	M6x16
AA10	1	0469 950 880	Cable clamp	
-	3		Screw	RXPT 8-16x20
AA11	1	0468 516 886	Mains cable	
AA12	1	0192 526 002	Sealing strip	L=0.32m, to be ordered per metre
AA13	1	0458 387 001	Side cover low	Right
-	12		Screw	M6x16
AA14	1	0458 388 001	Side cover low	Left
AA15	1	0458 384 001	Bottom plate	
AA16	4	0458 683 001	Foot	
-	4		Screw	M6x19
AA17	1	0458 389 002	Front profile low	
-	4		Screw	M6x16
-	2		Washer	Ø 11/6.4x2.1
AA18	1	0458 395 001	Front frame	
AA19	5	0469 381 001	Fast lock nut	
AA20	1	0458 508 001	Lower beam	
-	2		Screw	M6x20
AA21	1	0458 397 001	Filter	
AA22	1	0458 382 001	Front grill	

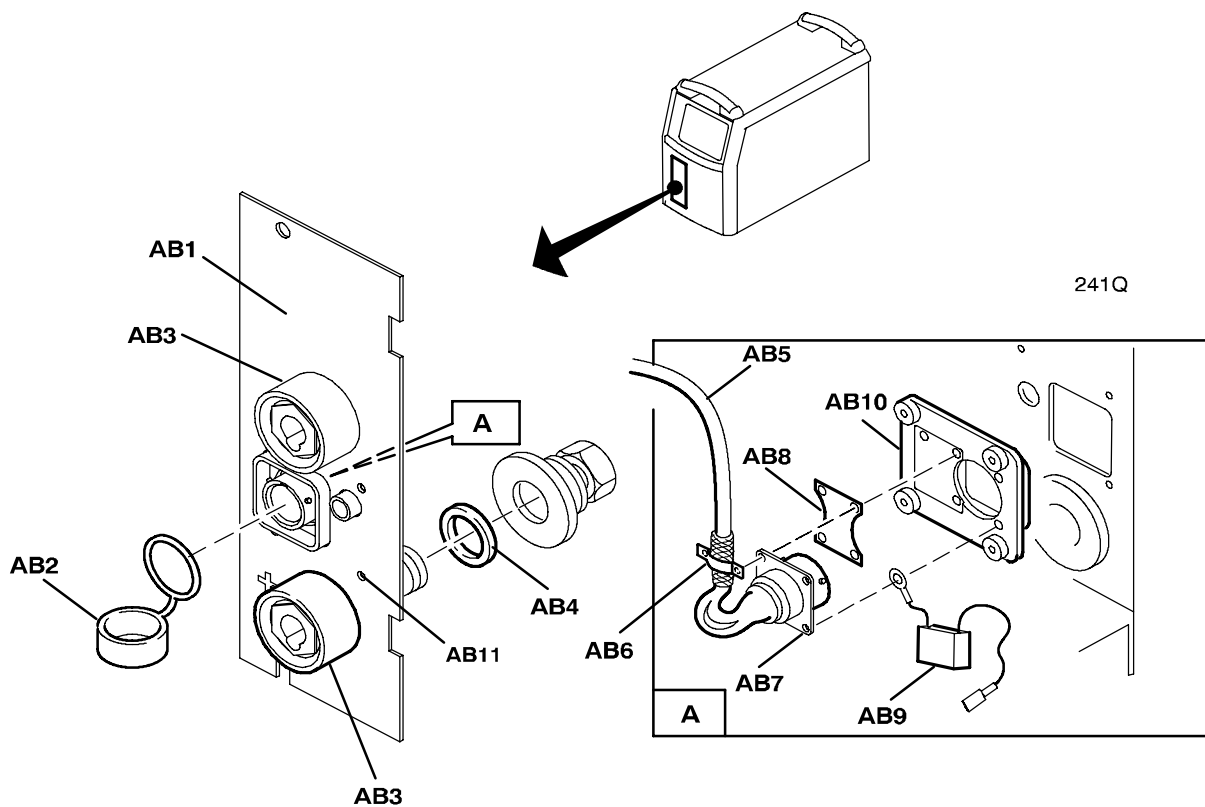
**Arc 4000i**





C = component designation in the circuit diagram

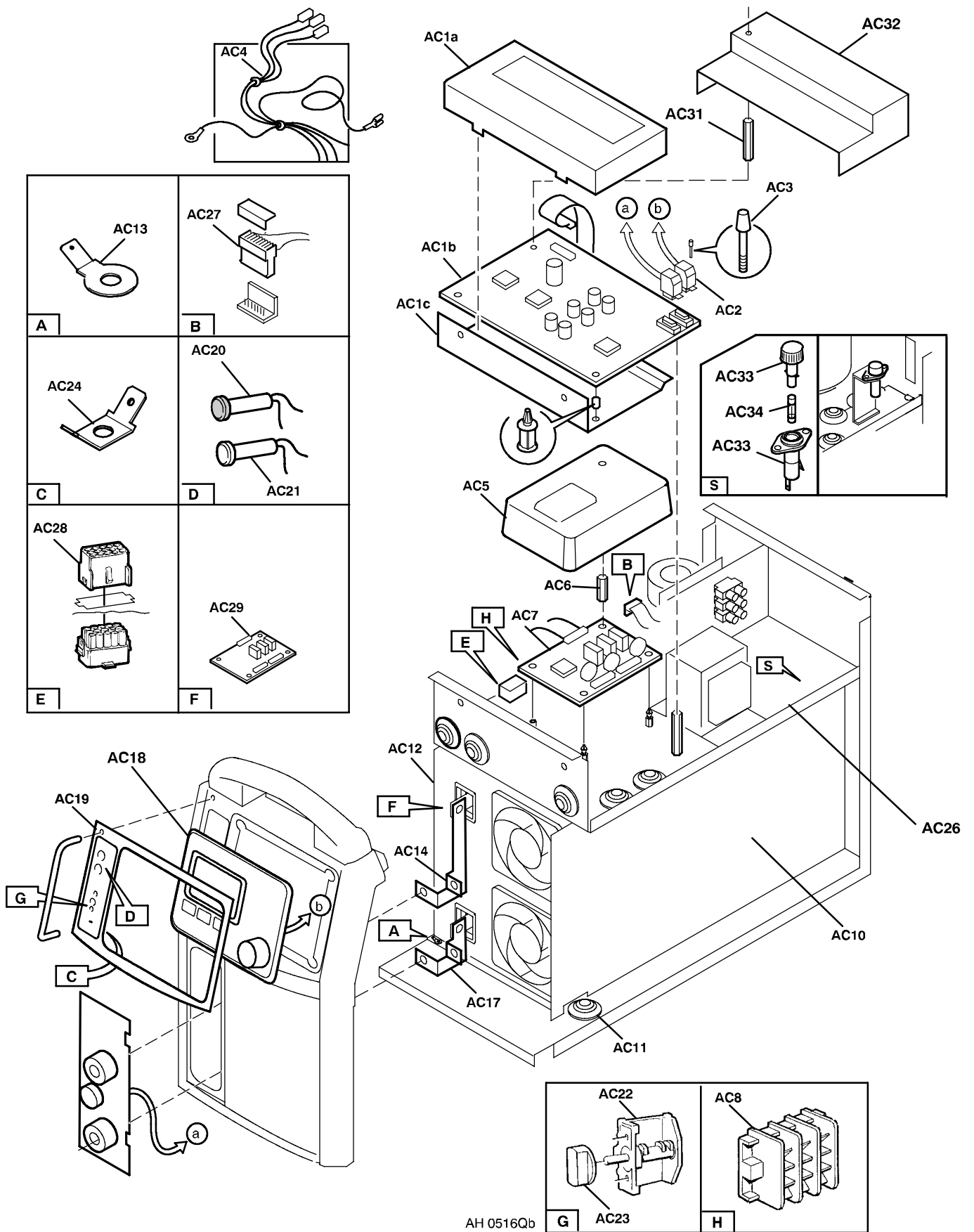
Item	Qty	Ordering no.	Denomination	Notes	C
AB1	1	0458 623 001	Connection plate		
AB2	1	0366 285 001	Cap		
AB3	2	0160 362 881	Cable connector	OKC	XS1, XS2
AB4	2	0466 325 001	Gasket		
AB5	1	0458 681 883	Cable	Connectors included	XP1, XS3
AB6	1	0456 686 880	Clamp		
AB7	1	0368 544 003	Socket	12 pole	XS3
-	3		Screw	RXPT 6-19x8	
AB8	1	457 799 001	Screen plate		
AB9	1	0467 911 883	Capacitor		C3
AB10	1	0458 969 001	Insulation		
-	4		Screw	MRX M4x12	
AB11	4	0194 142 412	Nut	M4 domed, plastic	



C = component designation in the circuit diagram

Item	Qty	Ordering no.	Denomination	Notes	C
AC1a	1	0458 312 001	Top box		
AC1b	1	0487 201 880	Circuit board	Configured	20AP1
AC1c	1	0458 313 001	Bottom box		
	2		Screw	M5x8	
	2		Screw	RXPT 8-16x12	
AC2	1	0458 357 882	Cable MMC	To control panel. Connectors included	XP2, XP3
AC3	2	0193 052 980	Screw		
AC4	1	0458 629 884	Cable set common	Cable tree; Connectors included: XP6, XS7, XS8, XS15, XS20, XS21, XS22, XS23, XS24, XS25, XS27, XS28	<-----
AC5	1	0458 314 001	Dust protection		
AC6	1	0394 516 038	Spacer screw	M5x30	
AC7	1	0486 855 884	Printed circuit board	Relay board	20AP2
	2		Screw	M5x8	
AC8	1	0466 884 003	Connection		
AC10	1	0458 711 001	Air guide		
	1		Screw	M6x16	
AC11	3	0194 069 003	Rubber inlet	Grommet	
AC12	1		Power module	See page 10.	
	4		Screw	M6x16	
AC13	1	0191 548 009	Flat pin connector	Ø 6.3x0.8	
AC14	1	0458 624 002	Connection rail		
	2		Screw	M8x16	
	2		Nut	M8	
AC17	1	0458 624 001	Connection rail		
	2		Washer	Ø 22/10.5x2	
	2		Screw	M10x20	
AC18	1	0458 535 881	MMC module A2	For more info see separate manual	MMC module
	1	0458 535 888	MMC module A4	For more info see separate manual	MMC module
	3		Washer	Ø 4.3X8	
	7		Nut	M4	
AC19	1	0458 800 003	Front panel		
AC20	1	0369 733 005	Lamp	Orange LED	D1
AC21	1	0369 733 010	Indicating diod lamp	White 28 V	HL1
AC22	1	0458 601 001	Switch		2QF1
	2		Screw	FXS ST3.5x9.5	
AC23	1	0366 296 003	Knob		
AC24	1	0192 038 102	Flat pin connector	5.3 mm	
AC26	1		Mains module	See page 8	
	6		Screw	M6x16	
AC27	9		Connector	Included in item AC4	
AC28	2		Socket	Included in item AC4	
AC29	1	0486 892 880	Printed circuit board		AP2
AC31	1	0394 516 038	Spacer screw	M5x30	
	1	0394 516 036	Spacer screw	M5x20	
AC32	1	0458 881 001	Protection cap		
AC33	1	0459 284 001	Fuse holder		
AC34	1	0459 285 001	Fuse 4 A slow		2FU1

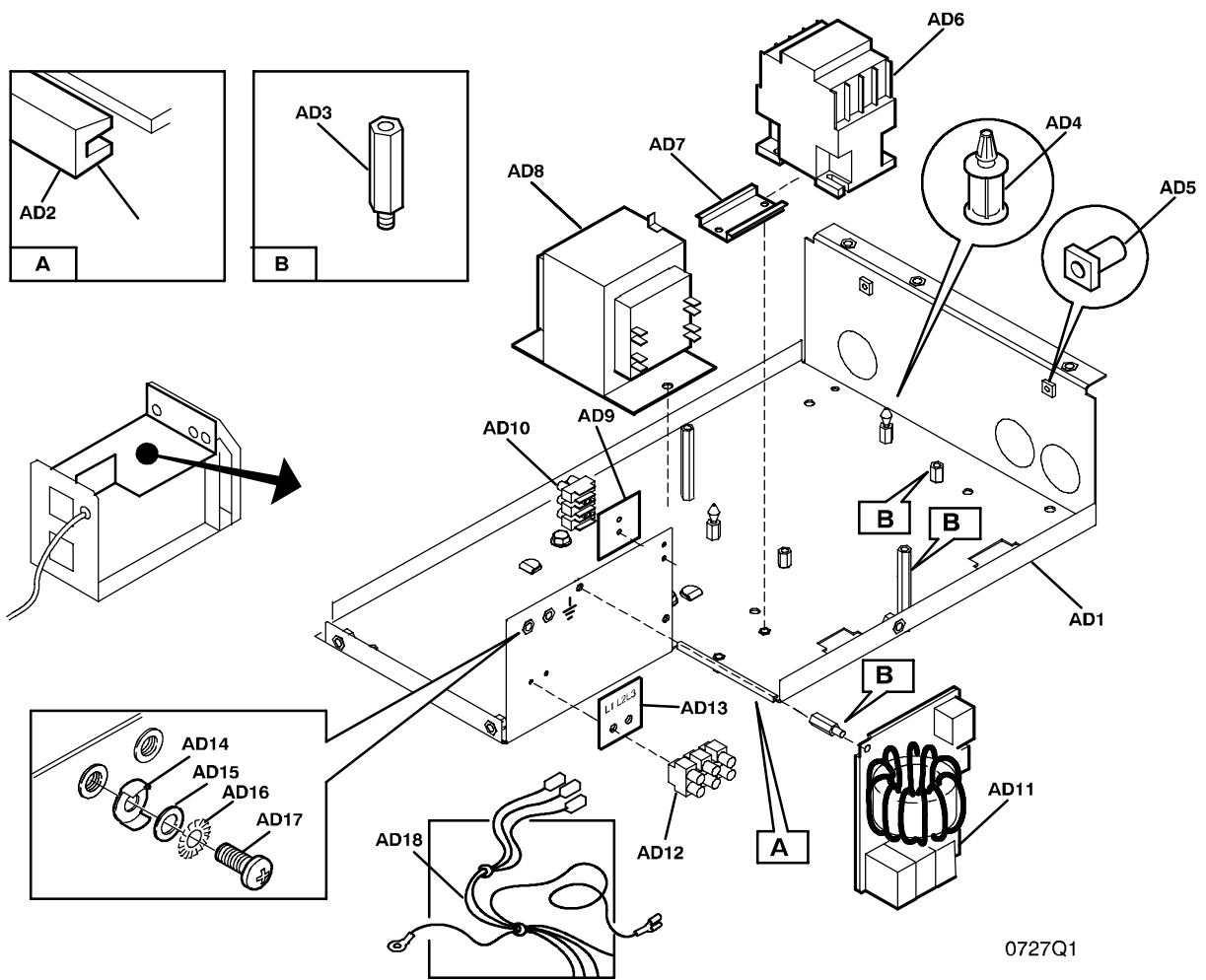
# Arc 4000i



**C = component designation in the circuit diagram**

Item	Qty	Ordering no.	Denomination	Notes	C
AD1	1	0458 391 001	Circuit board shelf		
AD2	1	0193 350 101	Grommet strip	L = 50 mm. To be ordered per metre	
AD3	2	0394 516 033	Distance screw	Spacer screw M5x12	
-	2	0394 516 036	Distance screw	Spacer screw M5x20	
-	2		Washer	Ø 10/5.3	
-	2		Screw	M5x8	
-	2	0394 516 044	Distance screw	Spacer screw M5x60	
AD4	2	0192 790 104	Spacer	12.7 mm	
AD5	2	0194 019 003	Spacer	3.2	
AD6	1	0193 502 105	Contacteur	400 V	2KM1
AD7	1	0193 298 101	Bar for contacteur		
-	2		Screw	M5x8	
AD8	1	0458 607 001	Control transformer	With fuses 2FU2 and 2FU3	2TC1
-	2		Screw	M6x6	
AD9	1	0191 409 019	Insulating washer		
AD10	1	0193 655 012	Terminal block	Delivered as 12 pole, to be cut to 5 pole.	2XT2
-	2		Screw	RX5 B8x19	
AD11		0455 803 880	Circuit board		2AP1
AD12	1	0320 378 011	Mans select block	Terminal block Delivered as 12 pole, to be cut to 3 pole.	2XT1
-	2		Screw	M4x25	
AD13	1	0468 882 004	Sign		
AD14	1	0264 300 404	Washer	KB6.5	
AD15	1		Washer	Ø 16/8.4x1.5	
AD16	2	0219 501 309	Washer lock AZ	Ø 11/6.4x2.1	
AD17	2		Screw	M6x16	
AD18	1	0458 611 881	Cable set mains module	Cabel tree. Connectors included	2XS1, 2XS2, 2XT2





C = component designation in the circuit diagram

Item	Qty	Ordering no.	Denomination	Notes	C
AE1	1	0458 308 001	Rail		
AE2	1	0458 072 001	Rail		
AE3	1		Semiconductor module	See page 12	
AE4	1	0458 055 001	Spacer		
AE5	2	0458 065 001	Fan		15EV1, 15EV2
	4		Screw	MRX-TT M4x8	
AE6	3	0458 076 001	Fan attachment		
AE7	8	0458 074 001	Inlet	Grommet	
AE8	1	0458 059 001	Fan plate		
	3		Screw	M6SF-TT M6x19	
AE9	1	0458 075 880	Transformer module		15TM1
	4		Screw	M6SF-TT M6x14	
AE10	1	0192 038 102	Flat pin	Ø 5.3	
AE11	4	0455 569 001	Ferrit ring core		15L1, 15L2
-			Cable tie	Heat resistant	
AE12	1	0458 077 001	Screen plate		
	2		Screw	MRX-TT M4x8	
AE13	1	0192 041 119	Grommet		
AE14	1	0458 067 001	Rail		
AE15	3	0191 548 009	Flat pin	6.3x0.8	
AE16	1	0458 063 001	Current sensor		15AP3
AE17	1	0190 209 120	Hose	Ø 15.9/14, L= 45mm, to be ordered per metre	
AE18	1	0458 068 002	Rail		
AE19	1	0458 068 001	Rail		
	3		Screw	M8x16	
	3		Nut	M8	
AE20	1	0486 739 880	Circuit board	<b>Note: Read the service manual</b>	15AP1
AE21	26	0194 143 327	Screw	M5x12 <b>See * below</b>	
AE22		0219 504 302	Spring washer	Ø 10/5.2x0.5	
AE23	4		Washer	Ø 16/5x1	
AE24	1	0458 991 001	Spacer screw		
AE25	2		Screw	M5X16	
AE26	8		Nut	M5	
AE27	1	0458 991 002	Spacer screw		
AE28	1		Screw	M5x20	
AE29	1	0486 735 880	Circuit board		15AP2
-	2	0193 767 001	Fuse	Fuses S1 and S2 on circuit board 15AP2	
AE30	1	0458 064 881	Cable set gate	Connectors included: 15XS1, 15XS3, 15XS5, 15XS6, 15XS7, 15XS8	<-----
AE31	1	0458 064 880	Cable set 350/400	Connectors included: 15XP7, 15XP8, 15XS4, 15XS9	<-----
AE32	6	0194 143 368	Screw	M6x16 <b>See * below</b>	
AE33	12	0219 504 303	Spring washer	T=0.7. Ø 12.5/6.2 Included in item AE32	
AE34	6		Washer	Ø 12x6.4x1.5 Included in item AE32	
AE35	5	0394 516 038	Spacer screw	M5x30	
AE36	2	0394 516 035	Spacer screw	M5x18	
AE37	1	0194 069 002	Rubber inlet	Grommet	
AE38	1	0458 054 001	Intermediate plate		
AE39	1	0349 134 001	Rubber distance	Rubber spacer	
AE40	1	0458 066 880	Inductor		15L3
AE41	1	0458 069 001	Rail		
AE42	4	0320 901 003	Insulating nut	M12	
AE43	1	0458 058 001	Support plate		
	2		Screw	M6SF- TT, M6x14	
AE44	4	0192 903 505	Capacitor	1000 µF	
AE45	3	0193 609 105	Insulator		
AE46	1	0460 119 001	Primary inductor		3L1



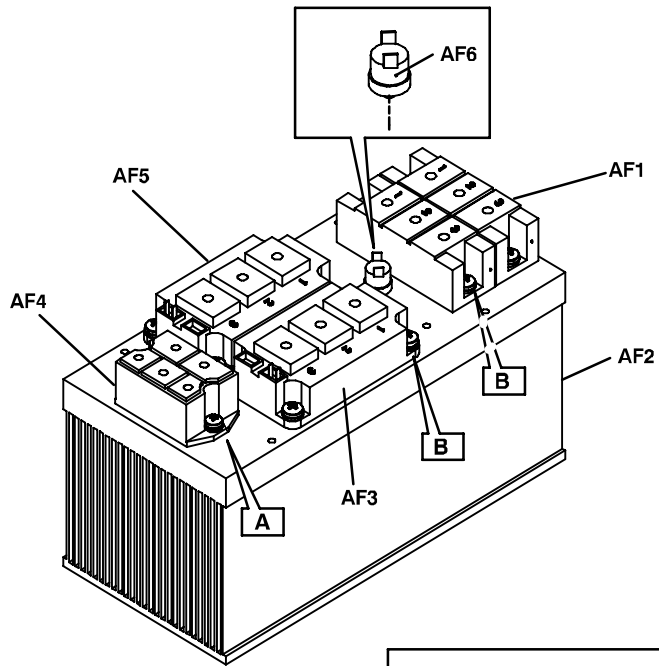
C = component designation in the circuit diagram

Item	Qty	Ordering no.	Denomination	Notes	C
-	1	0458 073 880	Semiconductor module	Complete. Items AF1 - AF12	
AF1	2		Diode module	See item AF52	15D1, 15D2
AF2	1	0301 011 003	Heat sink		
AF3	1		IGBT module	See item AF50	15Q2
AF4	1		Rectifier bridge	See item AF51	15BR1
AF5	1		IGBT module	See item AF50	15Q1
AF6	1	0456 113 886	Thermal switch		15ST2
AF7	2		Screw	M5x16 <b>See * below</b>	
AF8	4		Spring washer	Ø 10/5.2x0.5 Included in item AF7	
AF9	2		Washer	Included in item AF7	
AF10	12		Screw	M6x20 <b>See * below</b>	
AF11	24		Spring washer	T=0.7, Ø 12.5/6.2 Included in item AF10	
AF12	12		Washer	Included in item AF10	
-	1	0192 058 101	Thermal compound	For fitting of items AF1, AF3, AF4, AF5 and AF6	

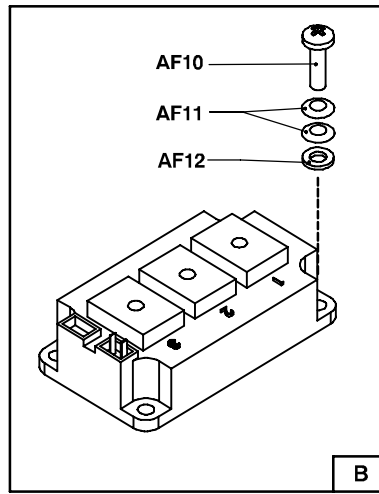
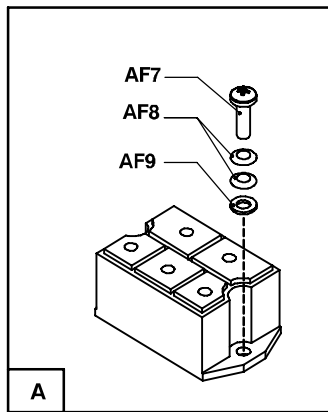
\* Special screw with inbuilt washer and spring washer function.

#### SPARE PARTS SETS

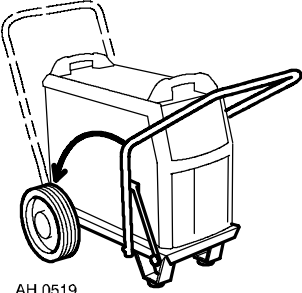




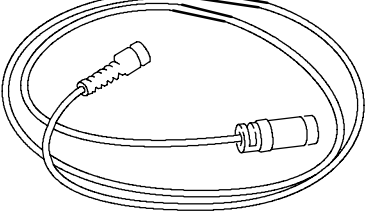

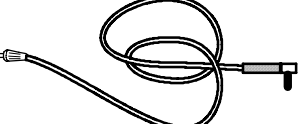
Item	Ordering no.	Denomination	Notes
AF50	0458 920 880	IGBT modules set	Includes: item AF3 IGBT 15Q2, item AF5 IGBT 15Q1, item AF10 screw M6x20, thermal compound, roller and mounting instruction
AF51	0458 920 881	Rectifier set	Includes: item AF4 rectifier bridge 15BR1, item AF7 screw M5x16 thermal compound, roller and mounting instruction
AF52	0458 920 882	Diode module set	Includes: diode module item AF1, AF10 screw M6x20, thermal compound, roller and mounting instruction. <b>Note: there is only one diode module in the set.</b>
-	0458 910 002	Roller handle	For the roller in the spare parts sets above



732Q



Accessories

 <p>AH 0519</p>	<p><b>Trolley</b></p>	<p>0458 525 880</p>
	<p><b>Remote control adapter RA12 12 pole</b> ..... For analogue remote controls to CAN based equipment.</p>	<p>0459 491 910</p>
	<p><b>Remote control unit MTA1 CAN</b> ..... For setting of wire feed speed, current and arc force.</p>	<p>0459 491 880</p>
	<p><b>Remote control unit AT1 CAN</b> ..... For setting of current.</p>	<p>0459 491 883</p>
	<p><b>Remote control unit AT1 CF CAN</b> ..... For rough and fine setting of current.</p>	<p>0459 491 884</p>
	<p><b>Remote control cable 12 pole - 4 pole</b></p> <p>5 m ..... 0459 554 880 10 m ..... 0459 554 881 15 m ..... 0459 554 882 25 m ..... 0459 554 883 0.25m ..... 0459 554 884</p>	
	<p><b>Return cable 5 m 70 mm<sup>2</sup></b> ..... 0700 006 895</p>	
	<p><b>ESAB 400 electrode holder with 6 m cable</b> ... 0349 501 060</p>	

